

Compact Electric Rivet Spinner



Nº 552225



Exclusively from OREGON®, a heavy-duty, bench-mounted rivet spinner that provides professional spin results while saving time and labor!



Unobstructed View



Ergonomic Design



Quick Change Inserts

FEATURES	BENEFITS
PROFESSIONAL RESULTS	<ul style="list-style-type: none">• Precision cut spin rolls and anvils provide factory like spin results
COMPACT BENCH MOUNT DESIGN	<ul style="list-style-type: none">• Unlike large, stand alone rivet spinners — which require dedicated floor space — the OREGON® Compact Electric Rivet Spinner enables shop technicians the flexibility to locate and secure the rivet spinner to any available, solid work surface.
UNOBSTRUCTED SPIN AREA	<ul style="list-style-type: none">• Direct visibility of the work area while spinning• Clear and quick change-over of anvil / spin-roll insert pairs
ERGONOMICS	<ul style="list-style-type: none">• Naturally positioned handle allows for easy, continuous operation when applying pressure in the rivet spinning area
FULLY EQUIPPED	<ul style="list-style-type: none">• Two spin roll and anvil insert sets are included for spinning 1/4", 3/8" low profile, .325", 3/8", and .404" chain pitches.

Compact Electric Rivet Spinner

Nº

552225

Compact Electric Rivet Spinner

VOLTAGE	120V - 60Hz
RATED POWER	85W
WEIGHT	16.5 lbs. / 7.5 kg



WARNINGS



Always wear personal protection equipment when using the rivet spinner.

All adjustments must be made with the motor switched off and the rivet spinner completely stopped.

Prior to use, ensure the rivet spinner base is fastened securely to a solid and stable surface to avoid injury or damage due to tipping/falling equipment. Do not operate an improperly mounted rivet spinner.



TOOLING WARNINGS

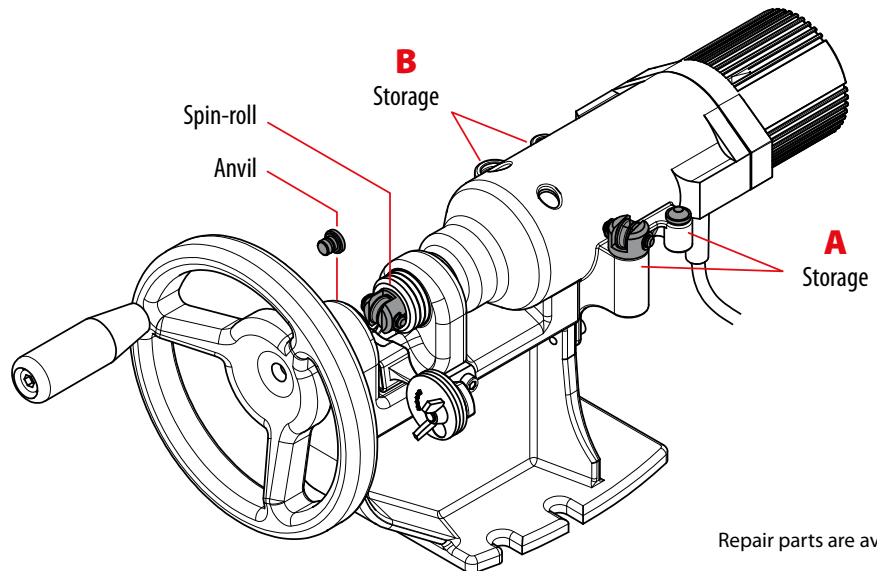
Always insure the correct spin roll & anvil pairs (A or B) are mounted together in the spinner prior to spinning. Do not mix inserts from other pairs together.

Do not force inserts into their bushings. Inserts should fit into their bushings without difficulty.



Inspect and clean inserts regularly. Do not use damaged or worn inserts in the spinner.

TOOLING INCLUDED - INSERT PAIRS

INSERT PAIR	A	B
PART NUMBER	545724	545725
SPIN ROLL		
ANVIL		
SAW CHAIN PITCH	3/8" 404"	1/4" 3/8" Low Profile 325"



Repair parts are available

For more information on these and other OREGON® products, contact your authorized OREGON® distributor, or:
 **OREGON® | BLOUNT, INC.** PO Box 22127 • Portland, OR, U.S.A. 97269-2127 P: 800-223-5168 F: 503-653-4201
 **OREGON DISTRIBUTION LTD.** 505 Edinburgh Rd. N., Guelph, Ontario, Canada N1H 6L4 P: 519-822-6870 F: 519-822-4999

OREGON® is a registered trademark of Blount, Inc.